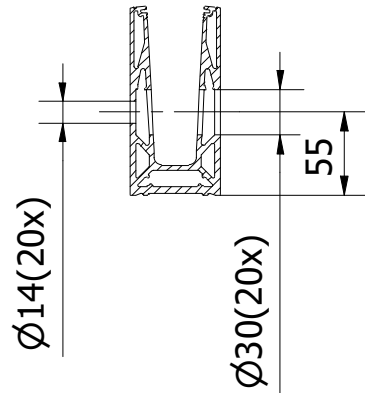
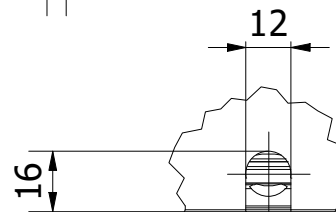
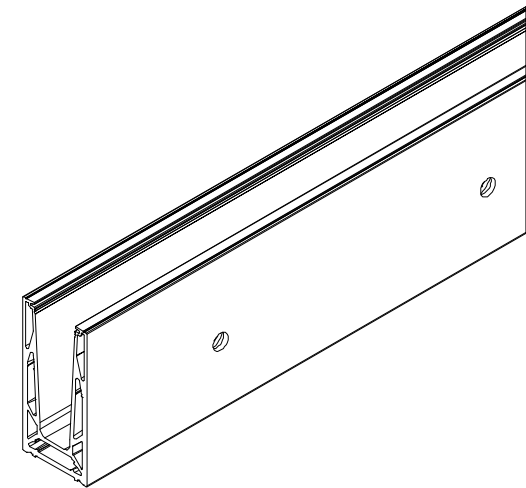
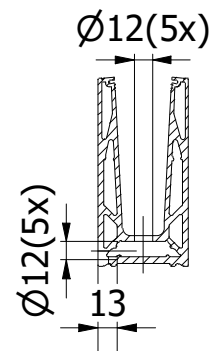


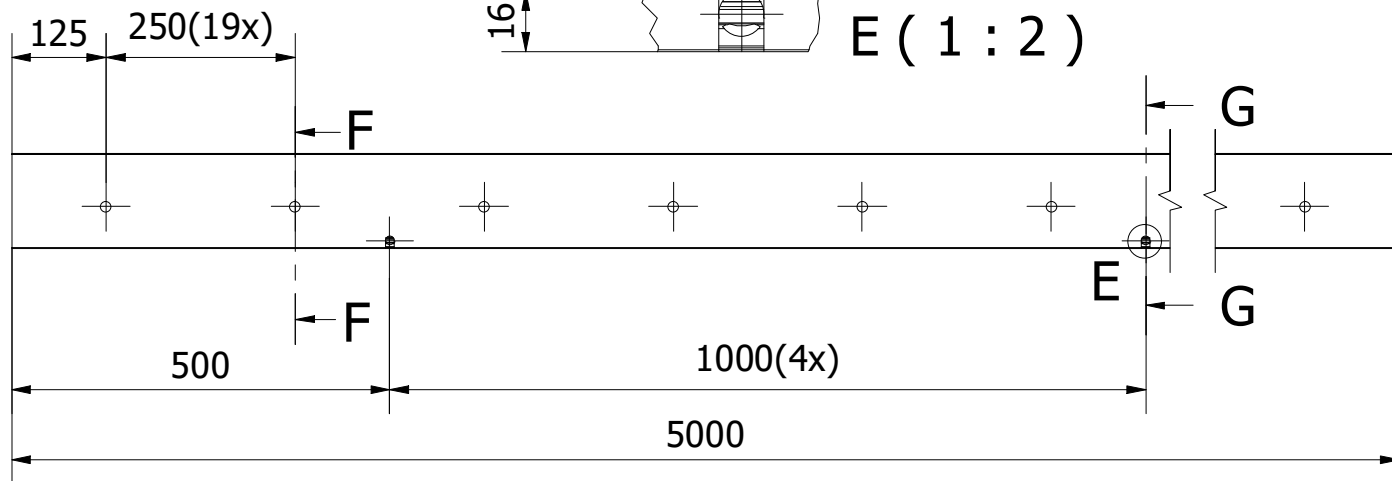
F-F ( 1 : 5 )



G-G ( 1 : 5 )



E ( 1 : 2 )



Designed by KVB	Created 15.03.2022	Modified	Comment	
		Description Glass profile TL-6081, L=5000mm aluminum natural anodized		
		Article number SPZ 6081-5000	Size A4	Scale 1:2